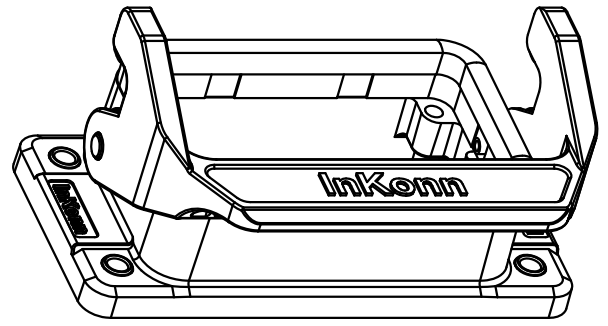
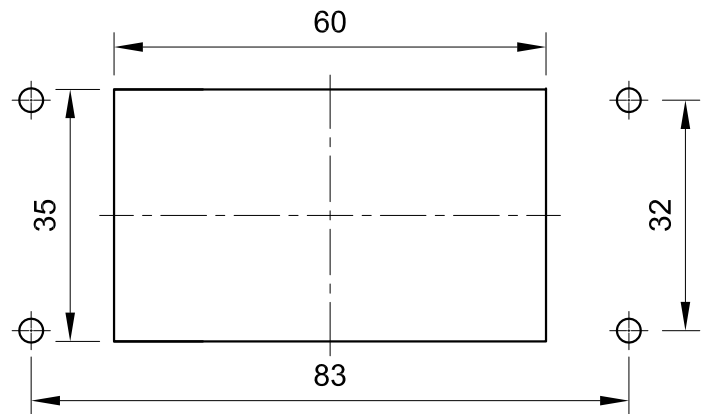



Panel cut out



 InKonn (Suzhou) Electric Technology Co.,Ltd.	All Dimensions in mm Original Size DIN A4	Date 2020-07-10	Drawing No. TC2182470	Rev. A00	Scale 1:1
	Part No. 10 11 010 0510	Created by Shuxu Huang	Checked by Yiyi Luo	Page 1/1	
Type Name HB10-BM-SL					